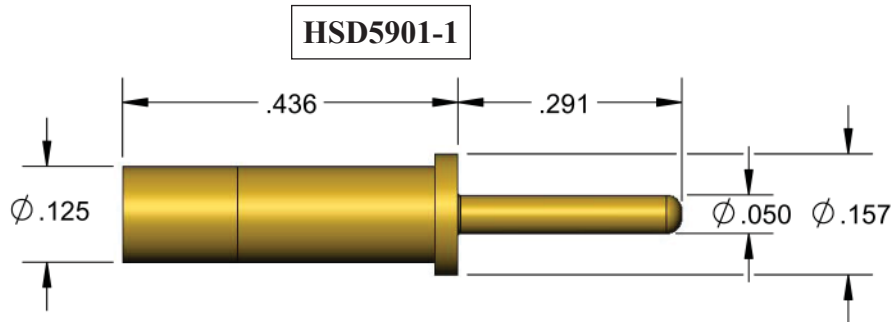
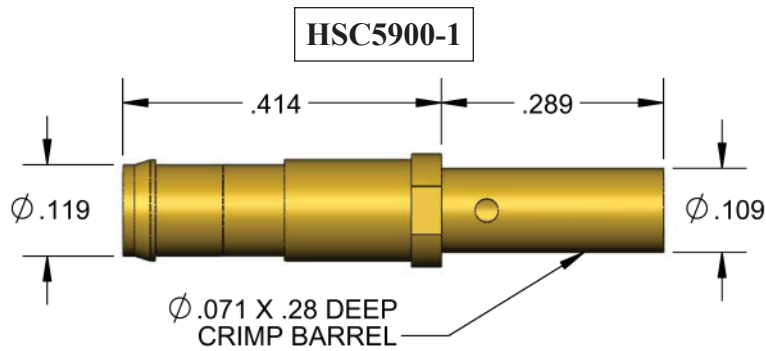


5900 SERIES SOCKET- ACCEPTS Ø1.50mm (0.059) MATING PIN

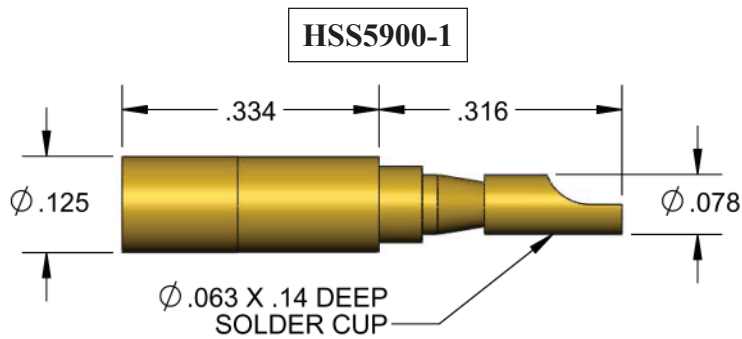
DIP SOLDER



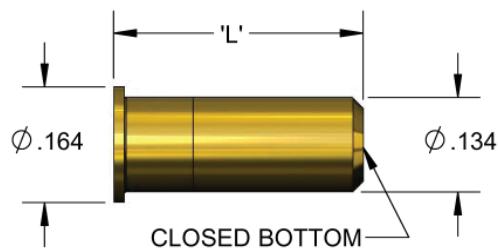
CRIMP



SOLDER CUP



PWB



PART NO.	'L'
HSR5900-1	.28
HSR5900-2	.36