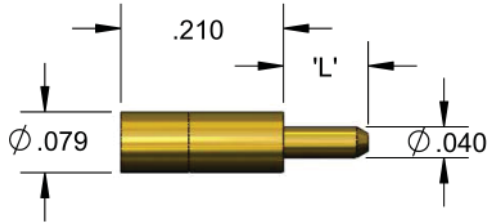


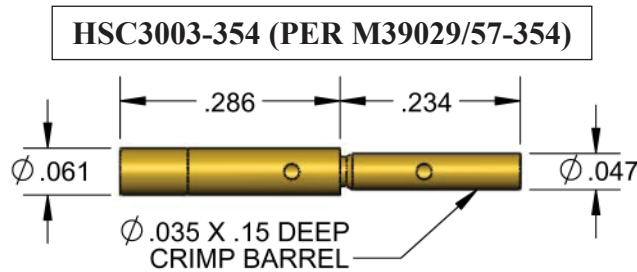
3000 SERIES SOCKET- ACCEPTS Ø0.030 (0.76mm) MATING PIN

DIP SOLDER

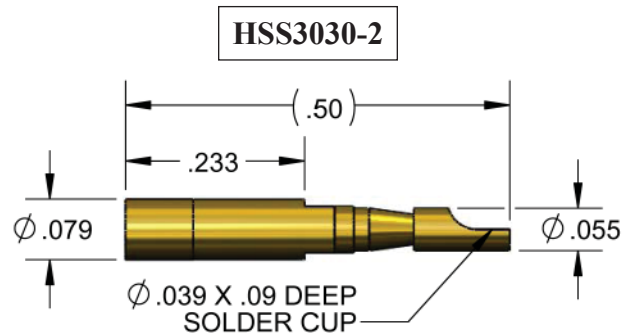


PART NO.	'L'
HSD3002-1	.110
HSD3002-2	.140
HSD3002-3	.160
HSD3002-7	.200

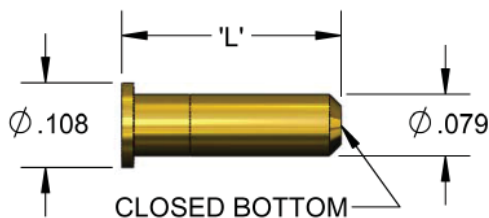
CRIMP



SOLDER CUP



PWB



PART NO.	'L'
HSR3000-1	.28
HSR3000-2	.21