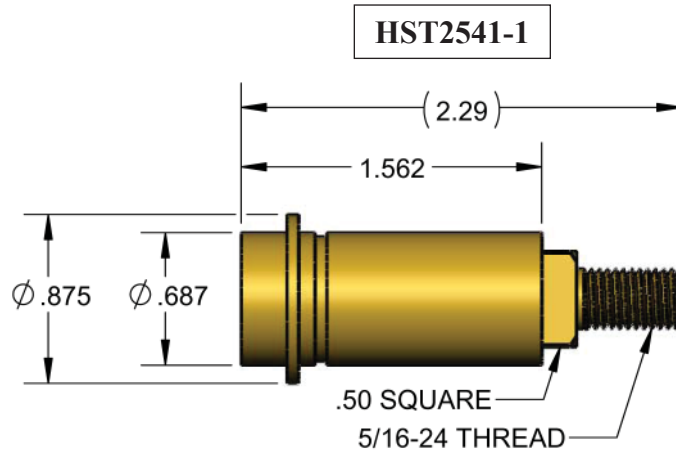


2541 SERIES SOCKET- ACCEPTS Ø6.12mm (0.241) MATING PIN

POWER TERMINAL



POWER TERMINAL

