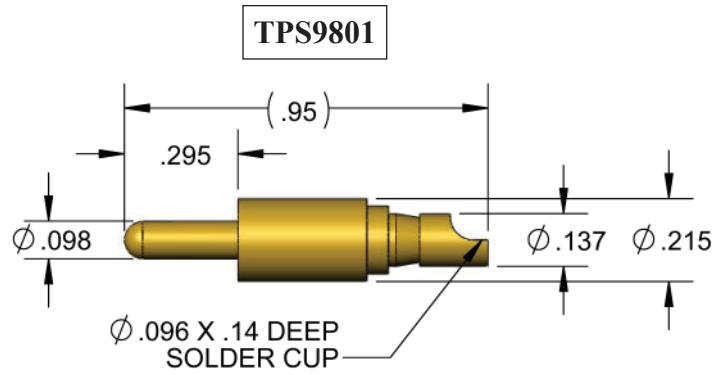
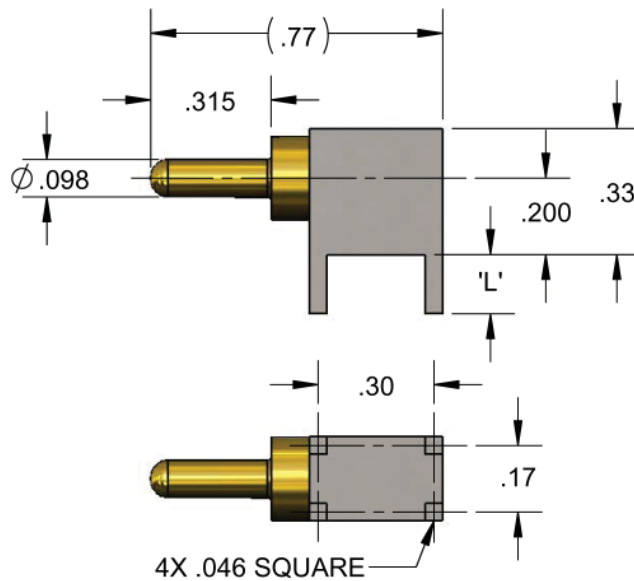


9800 SERIES PIN - Ø2.50mm (0.098)

SOLDER CUP



POWER TERMINAL



PART NO.	'L'
TPE0980-1	.155
TPE0980-2	.100