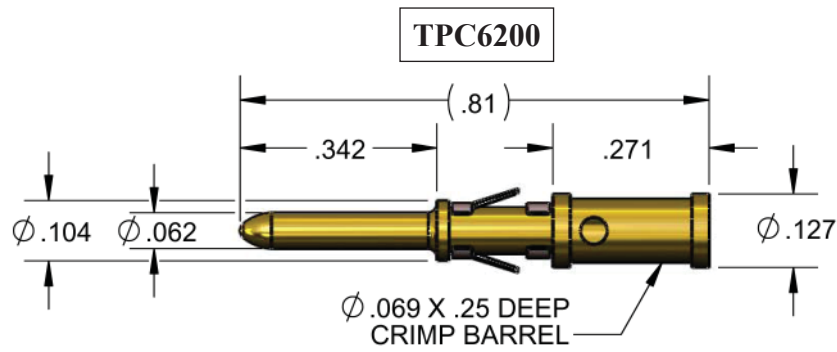


6200 SERIES PIN - Ø0.062 (1.57mm)

CRIMP



POWER TERMINAL

