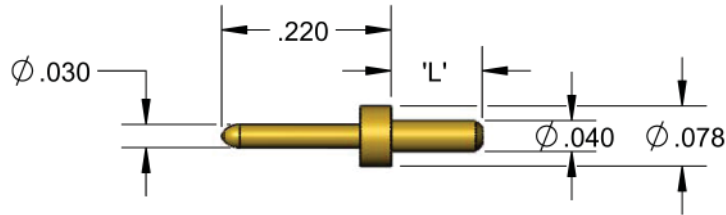


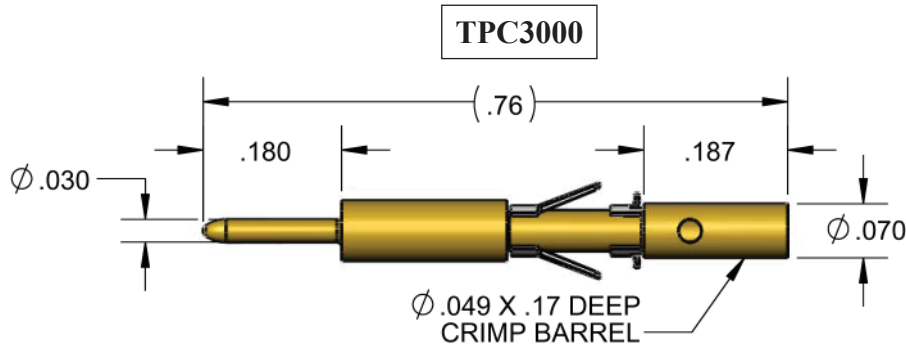
3000 SERIES PIN - Ø0.030 (0.76mm)

DIP SOLDER

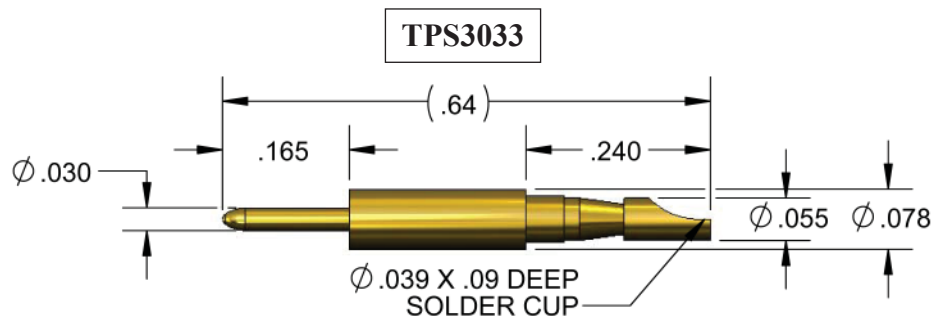


PART NO.	'L'
TPD3050	.110
TPD3052	.165
TPD3053	.130

CRIMP



SOLDER CUP



SOLDER CUP

