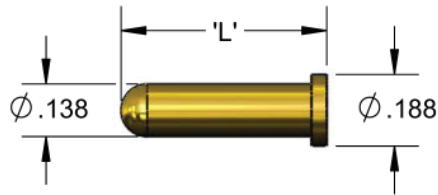


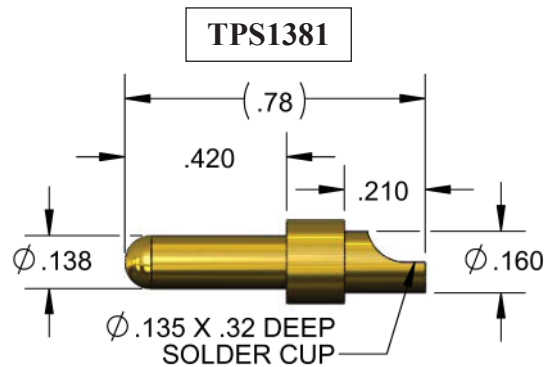
1380 SERIES PIN - Ø3.50mm (0.138)

BUTT SOLDER



PART NO.	'L'
TPD1381	.54
TPD1382	.84

SOLDER CUP



POWER TERMINAL

